

W3 TUG

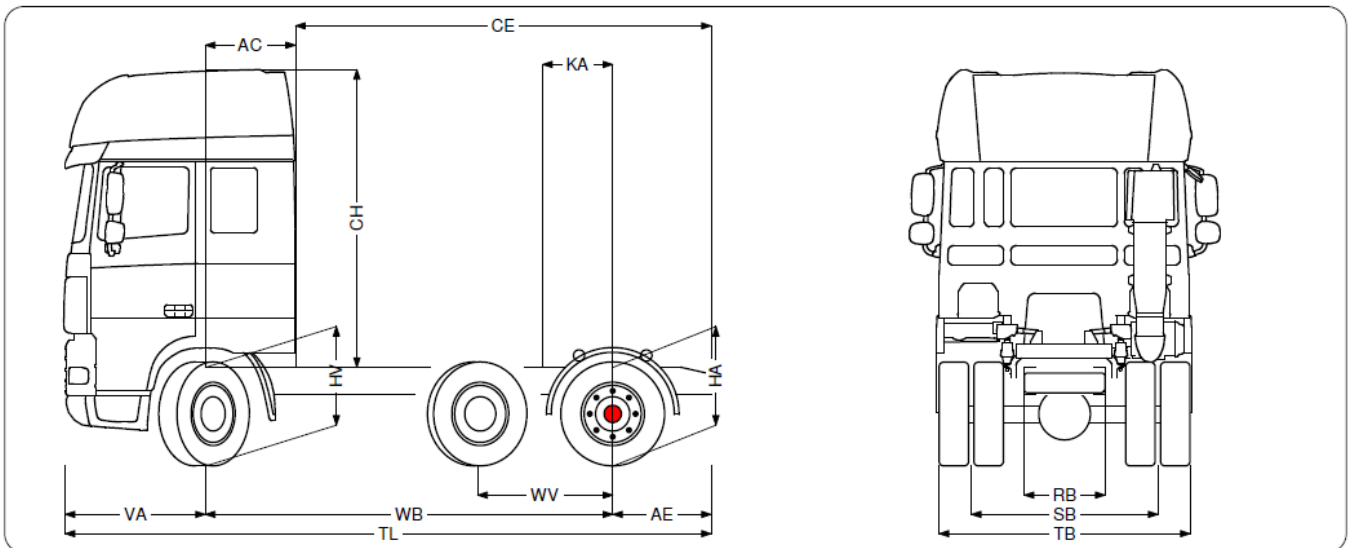
Type of Vehicle:	DAF 105XF510—6 x 2 Artic
Registration Number:	W3 TUG
First Registered:	May 2010
Gross Vehicle Weight:	65000
Tare:	9500
Front Axle:	9000
Middle Axle:	7500
Back Axle:	11500



Williams Shipping Transport Ltd.
Manor House Avenue
Millbrook, Southampton
SO15 0LF
Tel: 02380 701314
E-mail: transport@williams-shipping.co.uk

W3 TUG

Speed (MPH)	20	25	30	35	40
Axle 1	8000	8000	8000	8000	8000
Axle 2	7700	7700	7700	7700	7700
Axle 3	12500	12500	12500	12500	12500
GVW	28200	28200	28200	28200	28200
GTW	52000	52000	52000	52000	52000



Wheelbase - AE		Unladen weight ⁽²⁾			Gross Carrying Capacity			Variable dimensions									
WB	AE	Front	Rear	Total	Front	Rear	Total	AC	CE	CH ⁽³⁾	KA ⁽⁴⁾	KA ⁽⁴⁾	TL	HA ⁽⁶⁾	HA ⁽⁶⁾	TK ⁽⁷⁾	TW ⁽⁸⁾
3,98	0,96	5153	3043	8196	1947	15557	15204	0,88	4,06	2,91	0,43	0,95	6,31	0,99	0,96	15,12	16,53

Other dimensions VA: 1,37 WV: 1,32 WB+-: -0,50 HV⁽³⁾: 0,96 HV⁽¹⁰⁾: 0,91 RB: 0,79 SB: 1,82 TB: 2,45



WILLIAMS TRANSPORT SERVICES

Williams Shipping Transport Ltd.
 Manor House Avenue
 Millbrook, Southampton
 SO15 0LF
 Tel: 02380 701314
 E-mail: transport@williams-shipping.co.uk