

# T145

# 2-AXLE LOW LOADER



Manufacturer:	Doll
Type:	2-axle "wafer deck" low loader
Build year:	2015
Closed bed length:	8.0m
Max extended length:	14.0m
Tyre size:	245/70/17.5
Unladen weight:	15,000kgs
Bed height:	30cm
Additional info:	-

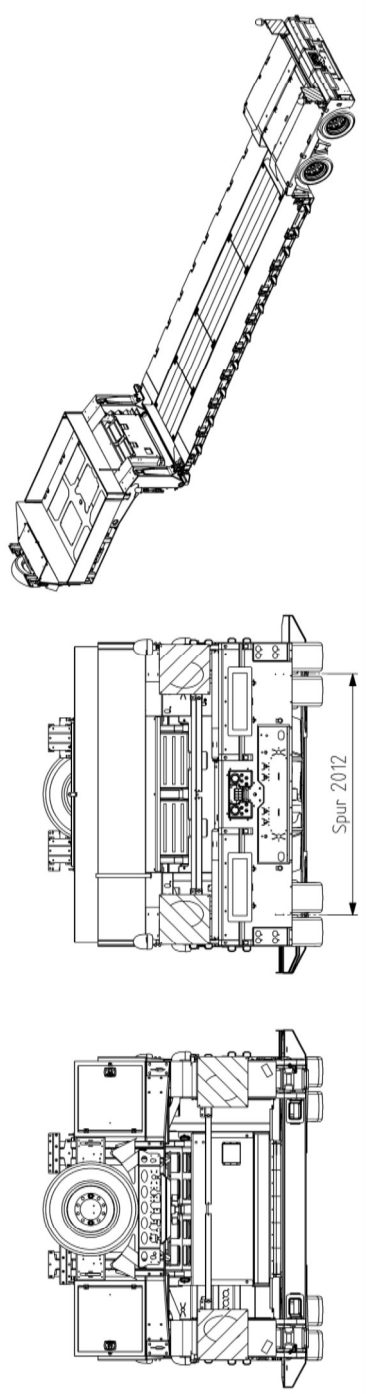
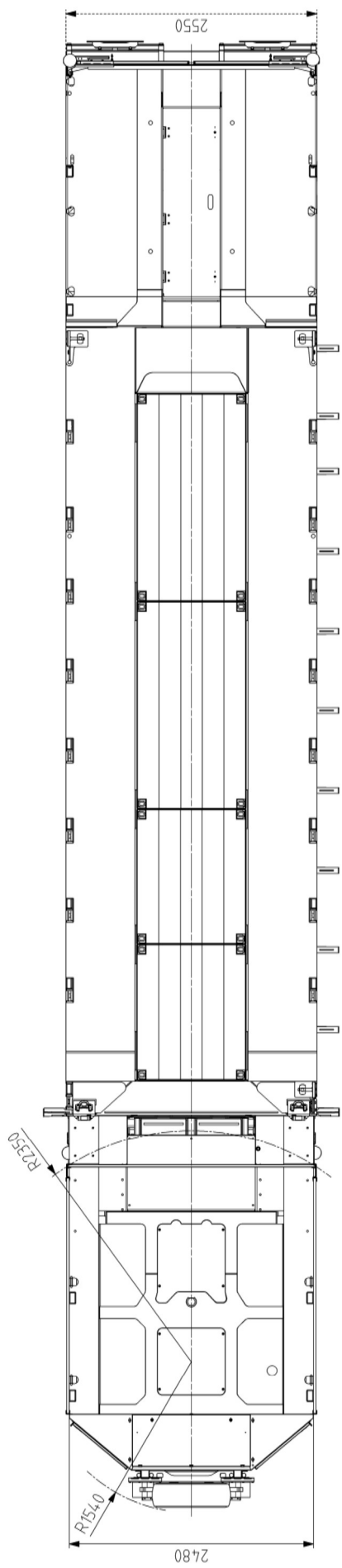
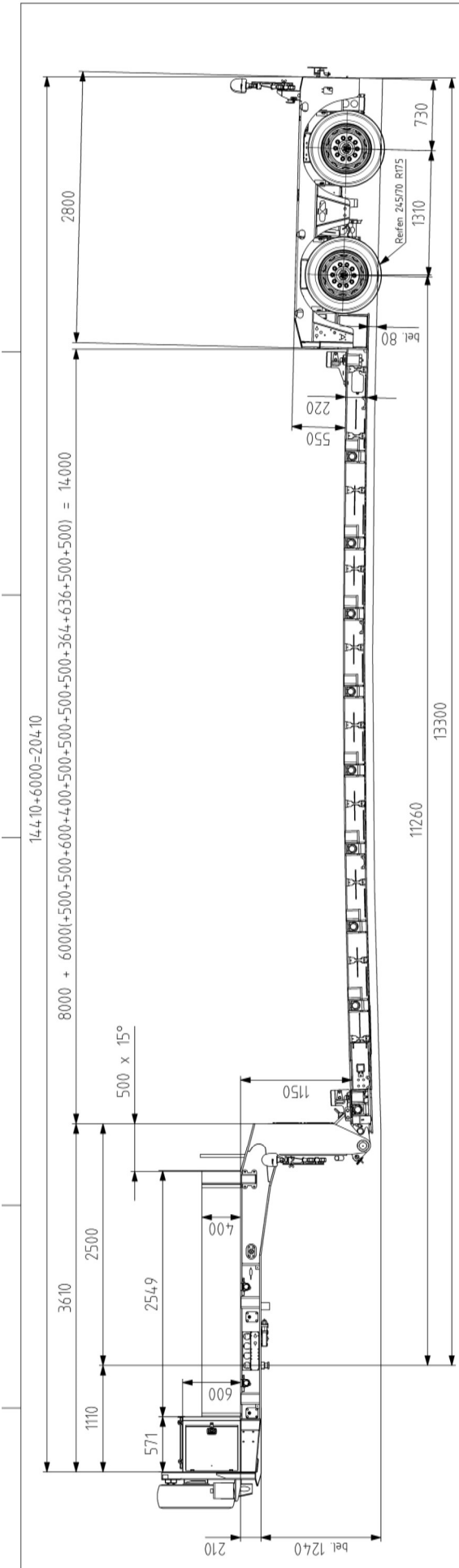


**WILLIAMS SHIPPING**

TRANSPORT SERVICES

[www.williams-shipping.co.uk](http://www.williams-shipping.co.uk) | [transport@williams-shipping.co.uk](mailto:transport@williams-shipping.co.uk) | 023 8070 1314





3AU002170  
 Williams Shipping Holdings Ltd.  
 W09T2E224F0D46094

Nummer	3AU002170-001	Start	18.08.2015	Spur / Spur	2012
Hersteller	DOLL	Hersteller	DOLL	Hersteller	DOLL
Modell	Fährgestell T2E-S3FS18 800bx355bre000	Modell	T2E-S3FS18 800bx355bre000	Modell	T2E-S3FS18 800bx355bre000
Version	001	Version	001	Version	001
Projekt	742481-001	Projekt	742481-001	Projekt	742481-001
DOLL Fahrzeugbau AG Industriestraße 17 42699 Solingen Telefon: +49 212 2400-0 Telefax: +49 212 2400-100 E-Mail: info@doll.de www.doll.de					