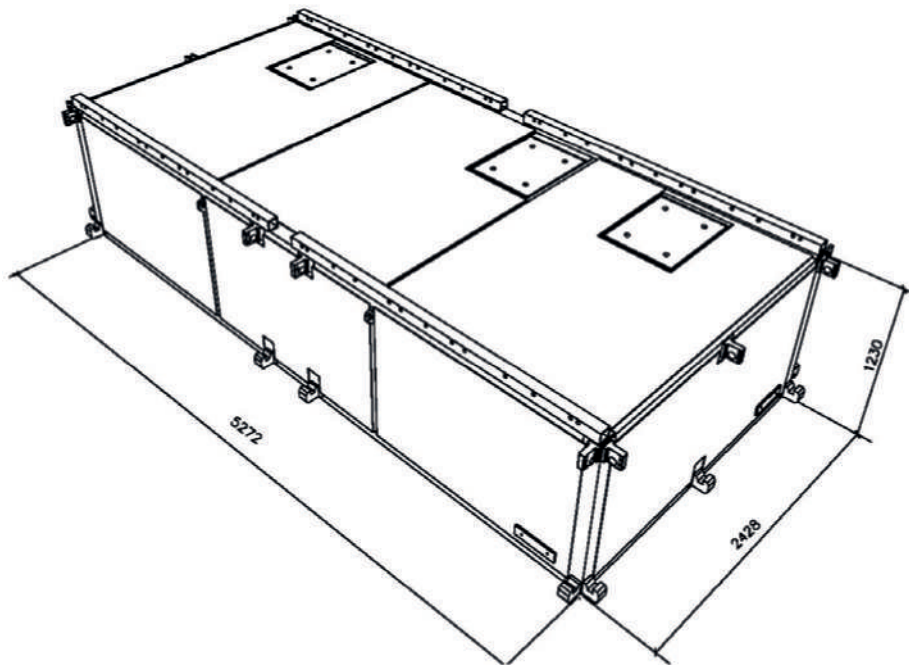


LINKFLOATS



LINKFLOATS



GENERAL

Dimensions (L x W x H) (each)	5272 x 2428 x 1230 mm
Weight	3500kg
Max load when uniformly distributed	20kN/m ²
Freeboard under load (uniformly distributed, 95kN)	225mm
Effective dimensions (coupler to coupler) (L x W)	5410 x 2565mm
Supplied with pins and railings	